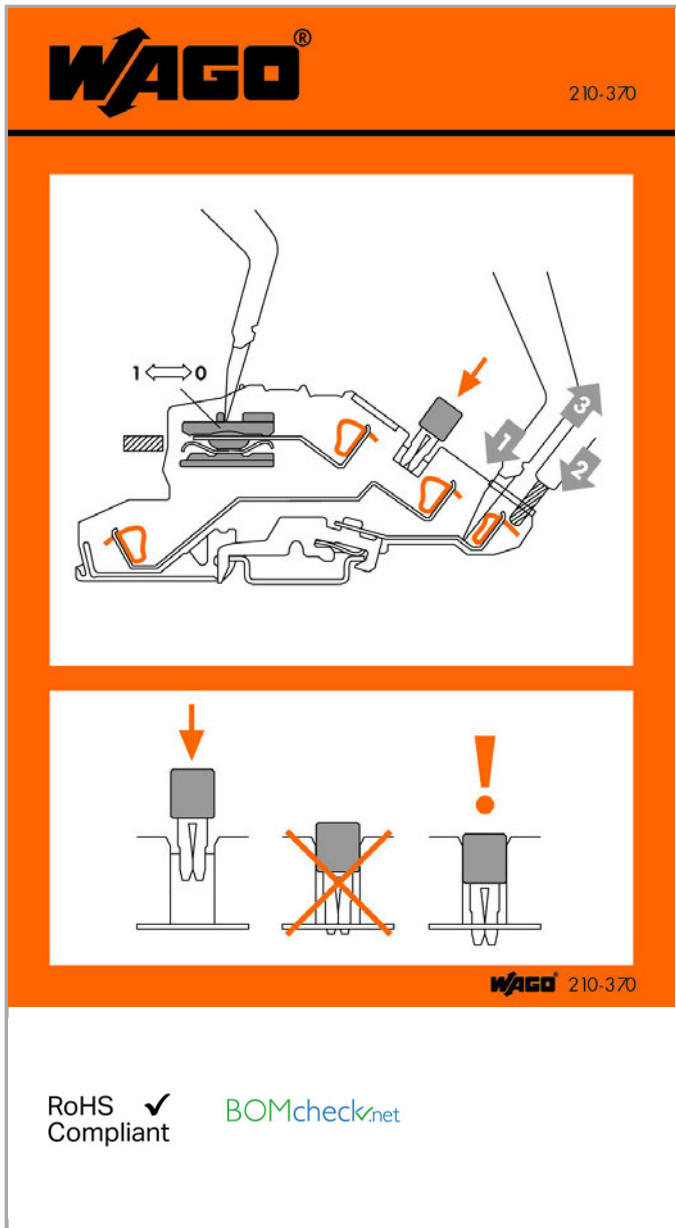


Data sheet | Item number: 210-370

Stickers for operating instructions; for TOPJOB® disconnect terminal blocks; 777, 780 to 784 Series



210-370



Data

Mechanical data

Weight 1.796 g

Commercial data

Product Group 2 (Terminal Block Accessories)



Country of origin	DE
GTIN	4017332329934
Customs Tariff No.	39199080888

Subject to changes.

---